



BLOODCARE

PHARMACARE

LABCARE

CLINICARE

The V1551.E 'Radio Frequency Identification' (RFID) SmartBoard can quickly identify large numbers of tags irrespective of how or where they are placed on the board. The RFID worksurface reader is ideal for fast moving products and samples as they are processed and analyzed. SPACECODE's powerful RFID technology reduces manual involvement and errors in counting and stock-taking processes and provides real-time actionable product visibility, workflow automation and inventory monitoring. Resulting in more effective workflows, maximal inventory control, optimized patient care and lower costs.

## FEATURES

The RFID SmartBoard  
( used to scan blood samples )

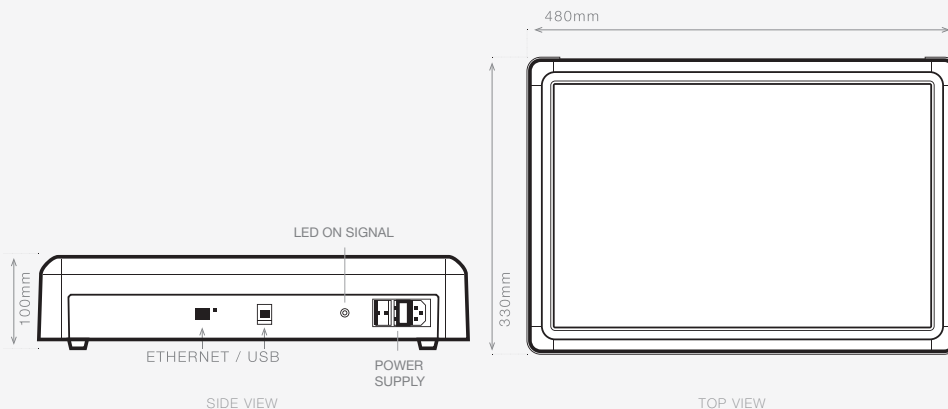


RFID Antenna Reader  
Inside Unit

Black Plastic Casing  
Black Coated Aluminium Base

SPACECODE RFID Blood Tag

The RFID SmartBoard  
( used to scan human samples,  
vaccines and pharmaceuticals )





**AUTOMATED 24/7 TRACK-AND-TRACE**  
continuously tracking stocks



**ALWAYS ON SMART SOFTWARE**  
ensuring data is always accessible



**INSTANT VISIBILITY WORLDWIDE**  
enhancing security and monitoring

## V1551.E RFID SmartBoard

### SPECIFICATIONS

<b>DIMENSIONS</b>	EXTERNAL DIMENSIONS	480 X 330 X 100 [MM] (W X D X H)
	ACTIVE RFID READ AREA	H ~ 15 CM
	WEIGHT	8 KG
<b>MATERIAL</b>	COVER	PLASTIC - BLACK
	BASE	ALUMINIUM BLACK COATED
<b>RFID SYSTEM</b>	CARRIER FREQUENCY	125 KHZ GLOBAL FREQUENCY STANDARD (119.7 KHZ)
	TECHNOLOGY	SPACECODE PASSIVE RFID
	TAG TYPE	REFER TO SPACECODE RFID TAG DATASHEET
	CHIP TYPE / MEMORY	SPC R8 READ ONLY 126 BITS - SPC E2 READ-WRITE 126 BITS
	DATA DURABILITY	10 YEARS
<b>COMMUNICATION</b>	ETHERNET	YES
	USB	YES
<b>SOFTWARE</b>	SOFTWARE DEVELOPMENT KIT	.NET CLIENT TCP/IP OR .NET SDK FOR USB DEVICE
	BUSINESS APPLICATION	SMART-TRACKER™ WITH CENTRAL OR LOCAL DATABASE
<b>POWER</b>	POWER SUPPLY	100-230V AC, 50-60HZ - POWER ON SWITCH
	POWER CONSUMPTION	200W MAX
	AMBIENT OPERATING TEMPERATURE	10° TO 38°C - INDOOR USE ONLY
<b>CERTIFICATIONS</b>	APPLICABLE DIRECTIVES	89/336/EEC ELECTROMAGNETIC DIRECTIVE
	STANDARDS OF CONFORMITY	EN301 489-1 V1 8.1 - ETSI EN 300 330-2 V1.5.1 - EN 50364 OF 2010
		FCC PART 15A RADIATED LIMITS
		CE
<b>OPTIONS</b>		WIFI



ISO 9001 CERTIFIED

12 rue des Petits Ruisseaux  
91370 Verrière-le-Buisson, France  
T + 33 1 69 752 170  
F + 33 1 60 110 031  
info@spacecode.com

SPACECODE.COM